

Dimensions

Stowed Height	2.50 m
Length Stowed	1.16 m
Stowed Width	1.16 m
Weight GVM (Wet)	995 kg
Length with Outriggers Extended	1.64 m
Width with Outriggers Extended	1.64
Mast Max. Elevation	8.30 m
Wind Speed Rating	80 km/hr

Standard Specifications

Power

Engine	Kubota Z482
Engine Emission Level	Tier 4 Final
Fuel Type	Diesel
Fuel Consumption (per hour of engine run time)	1.4L/hr
Fuel Consumption (per hour of light at 100% light output)	0.35L/hr
Recharge time from 85% DOD (Depth of Discharge)	2.5 hours
Generator	56V 5kW PMG
Battery	1 x 205 A hr Lithium (LiFePO ₄)
Battery Run Time (before Recharge)	10+ Hours (100% light output to 75% DOD, 25% light output from 75% to 85% DOD)
Lights	LED
Colour Temperature	5000±200 K
Light Power	4 x 200 W
Luminous Output	160,000 lm
Control System	Fully Integrated PLC System
Noise Level @ 7m radius	< 69 dB(A)
Fuel Tank Capacity	105 L

Mast System

Lift	Hydraulic
Mast Lift Time	25 seconds
Mast Lower Time	15 seconds
Rotate	360° Continuous
Hydraulic System Pump	
Voltage	12V DC
Pressure	240 bar (3500psi)
Function Control	Electric over Hydraulic
Liquid Bunding	110%



Standard Features

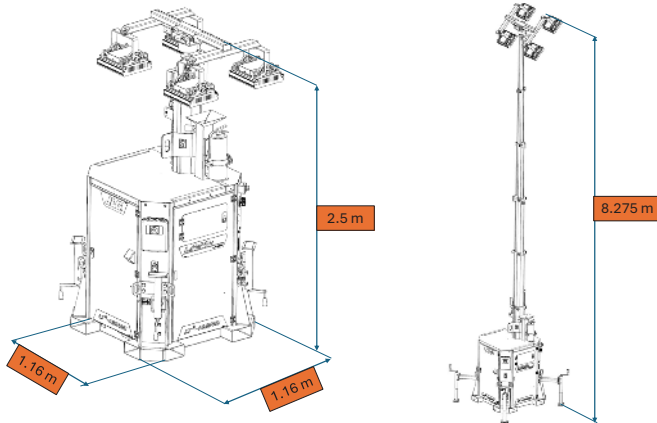
- External Emergency Stop
- Bunding for all Fluids (110%)
- Telematics
- Electronic Module including Auto Stop / Start and Advanced Engine Management with Individual Light Switching
- Forklift Tyne Pockets
- Crane Lifting Points
- Long Extension Wind Down Outriggers
- 360° Continuous Rotation of Light Head
- Lockable Battery Isolator
- 500 hour Engine Oil Service Interval
- 50 Degree Light Tilt
- Level Indicator Bubble
- High Engine Temperature Cut-out
- Low fuel warning

Options Available

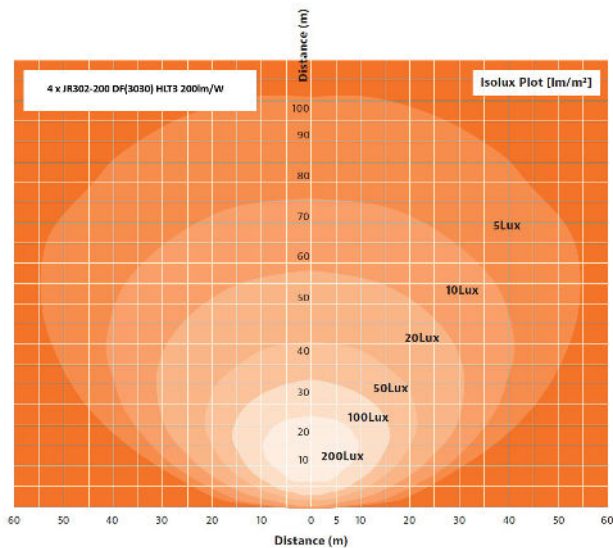
- Fire extinguisher 4.5kg
- Double pole battery isolator
- Starter motor isolator
- Anderson jump start receptacle
- Beacon
- Reflective tape
- Customised paint
- Exhaust heat wrap
- MDG-15 Spec

Dimensions

All dimensions are approximate.



Isolux Plot



The JLG "1 & 5" Warranty

The JLG "1 & 5" Warranty JLG Industries, Inc. backs its products with its exclusive "1 & 5" Warranty. We provide coverage on all products for one (1) full year and cover all specified major structural components for five (5) years. Due to continuous product improvements, we reserve the right to make specification and/ or equipment changes without prior notification.

R1225

JLG Industries (Australia)

358 Park Road
 Regents Park, NSW 2143
 Telephone 02 8718 6300
 Fax 02 8718 6377
www.jlg.com.au

An Oshkosh Corporation Company